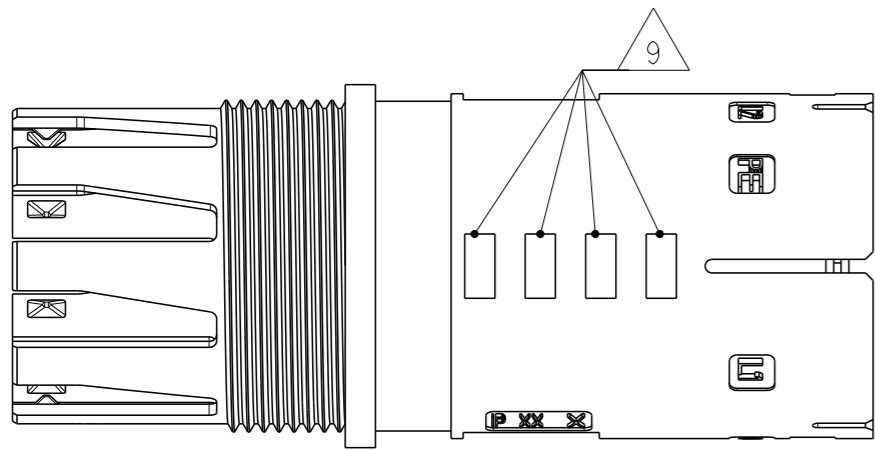
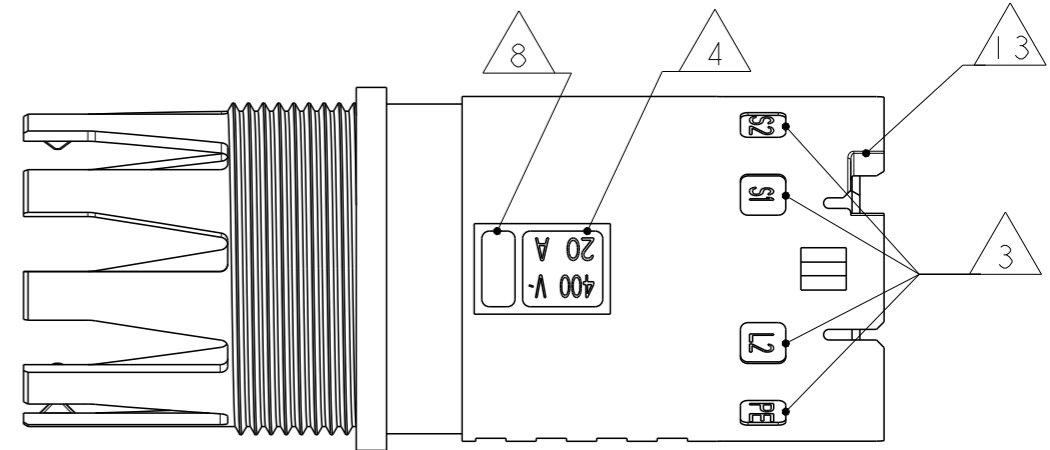
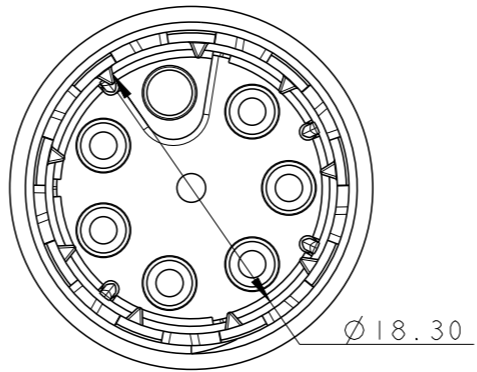
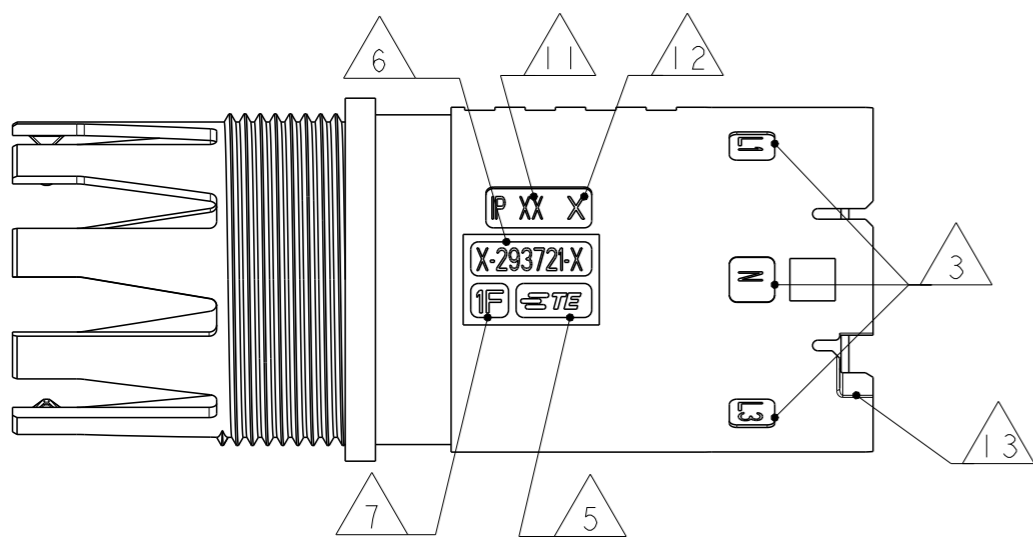


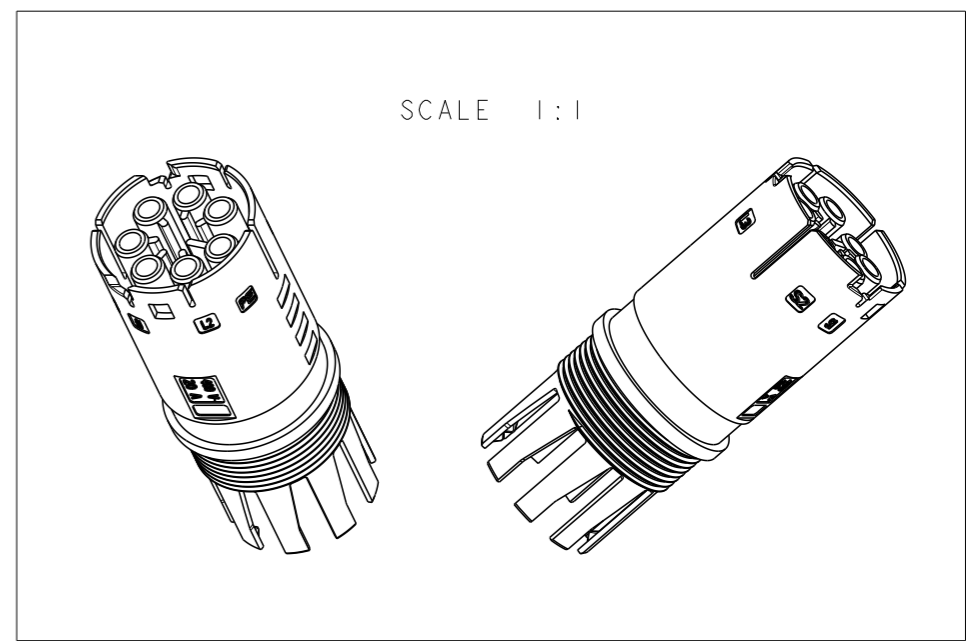
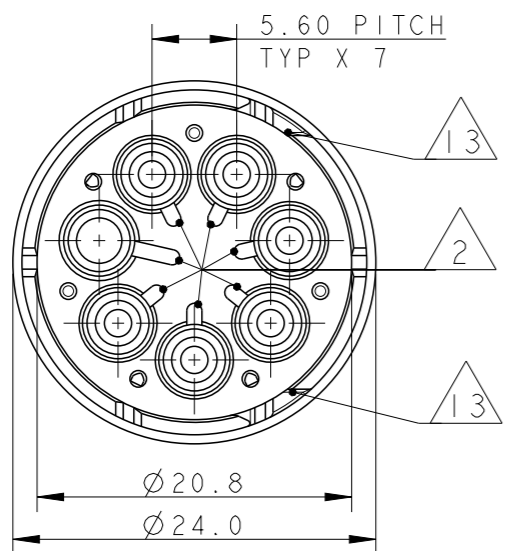
THIS DRAWING IS UNPUBLISHED. RELEASED FOR PUBLICATION 2011
 © COPYRIGHT 2011 BY - ALL RIGHTS RESERVED.

LOC	DIST	REVISIONS			
P	LTR	DESCRIPTION	DATE	DWN	APVD
	2	UPDATED	02MAY2011	AB	GT
	3	UPDATED	21MAY2011	AB	GT
	4	UPDATED	22JUL2013	MZ	JC
	A	PARTS RELEASED FOR PRODUCTION	12NOV2013	MZ	JC



NOTES:

- 1 MATERIAL: PA GF (NATURAL AND BLACK COLOUR)
- 2 ALL POLARIZATION KEYS SHOWN FOR REF ONLY
- 3 WAYS I.D.
- 4 VOLTAGE AND CURRENT RATINGS
- 5 TE LOGO
- 6 TE PART NUMBER
- 7 DATA CODE
- 8 AREA FOR AGENCIES APPROVAL LOGO
- 9 VISUAL INDOCATOR FOR PE CONDUCTOR
- 10) SEE C-DRAWING 293682 (LOCKING CAP) TO GET IP 40
- 11 IP CODE
- 12 CAVITY I.D.
- 13 SLOTS TO ALLOW DELATCHING TOOL OPERATION. FOR DEALTCHING TOOL AND OPERATION REFER TO APPLICATION SPECIFICATION



THIS DRAWING IS A CONTROLLED DOCUMENT.		DWN A. BERNARDI 31MAR2011	TE Connectivity	
DIMENSIONS: mm		CHK M. ZUCCA 31MAR2011		
TOLERANCES UNLESS OTHERWISE SPECIFIED:		APVD G. TURCO 31MAR2011	NAME SOCKET HOUSING 7 POLES FREE HANGING M-LINE NECTOR UNSEALED VERSION	
0 PLC ±- 1 PLC ±0.3 2 PLC ±0.20 3 PLC ±- 4 PLC ±- ANGLES ±3°		PRODUCT SPEC -	SIZE A300779	
MATERIAL -		FINISH -	APPLICATION SPEC -	CAGE CODE C-293721
		WEIGHT -	RESTRICTED TO -	
		Customer Drawing	SCALE 2:1	SHEET 1 OF 2
				REV A

THIS DRAWING IS UNPUBLISHED.

RELEASED FOR PUBLICATION

2011

© COPYRIGHT 2011 BY -

ALL RIGHTS RESERVED.

LOC	DIST	REVISIONS					
		P	LTR	DESCRIPTION	DATE	DWN	APVD
1	-	-	-	SEE SHEET 1	-	-	-

POLARIZATION TYPES

POLARIZATION TYPE "A"	POLARIZATION TYPE "B"	POLARIZATION TYPE "C"
PNs 0-293721-1 AND 1-293721-1	PNs 0-293721-2 AND 1-293721-2	PNs 0-293721-3 AND 1-293721-3
POLARIZATION TYPE "D"	POLARIZATION TYPE "E"	
PNs 0-293721-4 AND 1-293721-4	PNs 0-293721-5 AND 1-293721-5	

TABLE 1

NOTE	POL. KEYING	COLOUR	DESCRIPTION	REV.	P/N
	E	BLACK	SKT HSG 7 POLE FREE HANGING NECTOR* M-LINE	A	1-293721-5
	D	BLACK	SKT HSG 7 POLE FREE HANGING NECTOR* M-LINE	A	1-293721-4
	C	BLACK	SKT HSG 7 POLE FREE HANGING NECTOR* M-LINE	A	1-293721-3
	B	BLACK	SKT HSG 7 POLE FREE HANGING NECTOR* M-LINE	A	1-293721-2
	A	BLACK	SKT HSG 7 POLE FREE HANGING NECTOR* M-LINE	A	1-293721-1
	E	NATURAL	SKT HSG 7 POLE FREE HANGING NECTOR* M-LINE	A	0-293721-5
	D	NATURAL	SKT HSG 7 POLE FREE HANGING NECTOR* M-LINE	A	0-293721-4
	C	NATURAL	SKT HSG 7 POLE FREE HANGING NECTOR* M-LINE	A	0-293721-3
	B	NATURAL	SKT HSG 7 POLE FREE HANGING NECTOR* M-LINE	A	0-293721-2
	A	NATURAL	SKT HSG 7 POLE FREE HANGING NECTOR* M-LINE	A	0-293721-1

THIS DRAWING IS A CONTROLLED DOCUMENT.

DIMENSIONS: mm	TOLERANCES UNLESS OTHERWISE SPECIFIED:
	0 PLC ±-
	1 PLC ±0.3
	2 PLC ±0.20
	3 PLC ±-
	4 PLC ±-
	ANGLES ±3°
MATERIAL -	FINISH -

DWN A. BERNARDI 31MAR2011
CHK M. ZUCCA 31MAR2011
APVD G. TURCO 31MAR2011
PRODUCT SPEC -
APPLICATION SPEC -
WEIGHT -



NAME SOCKET HOUSING 7 POLES FREE HANGING M-LINE NECTOR UNSEALED VERSION			
SIZE A300779	CAGE CODE C-293721	DRAWING NO	RESTRICTED TO
Customer Drawing		SCALE 2:1	SHEET 2 OF 2 REV A